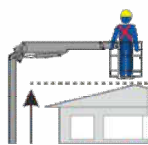




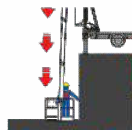
28,20 m



16,00 m



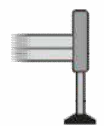
390 kg



-6,00 m



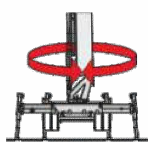
350 kg



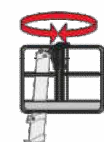
H+H



26,20 m



1440°



90°+90°



14,00 m



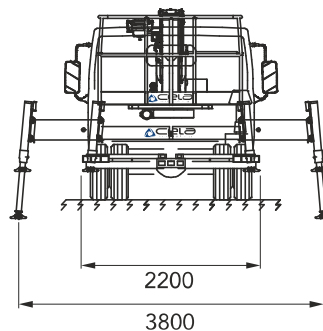
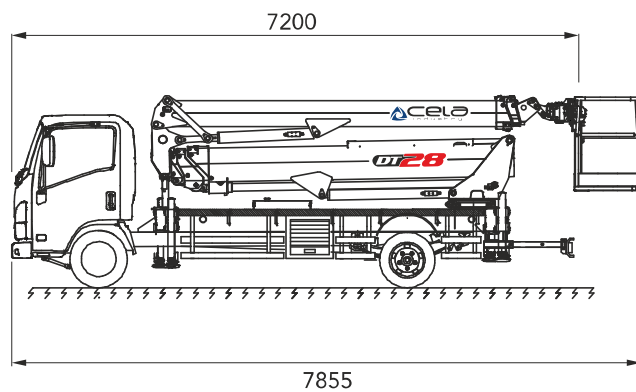
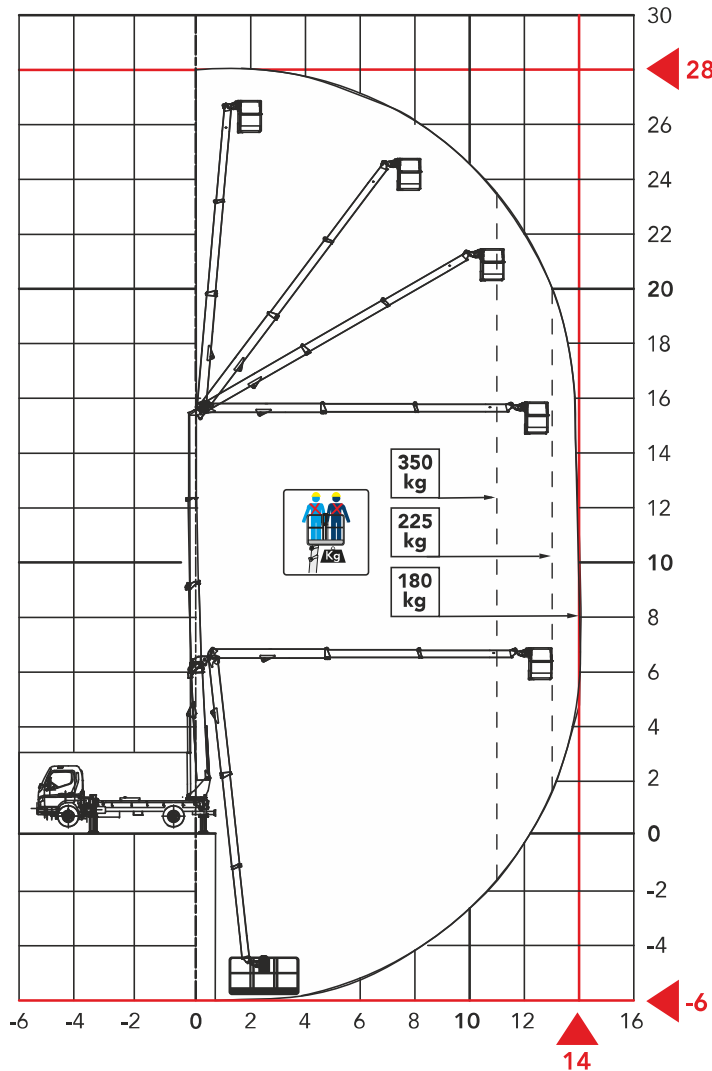
ALUMINIUM
1,8X0,7X1,1

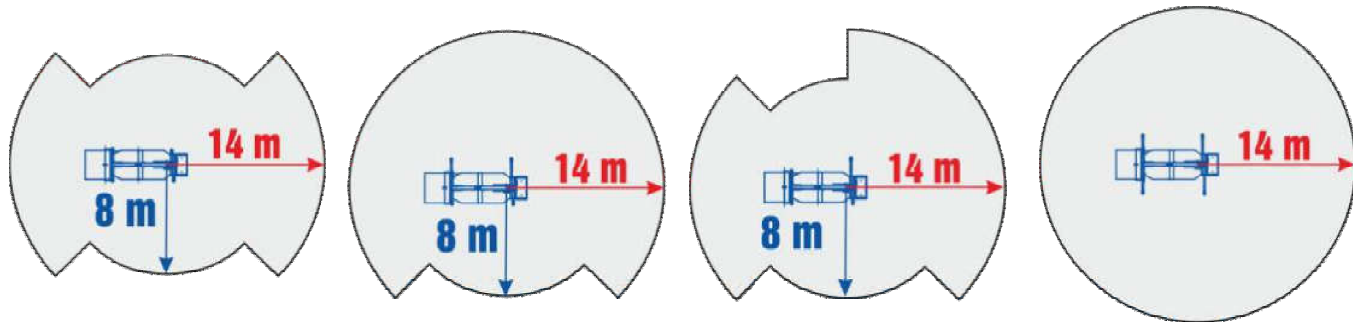


ELECTRONIC

DT28

MIN. GWV 6,0 T





CELA
industry

La piattaforma invisibile
The invisible boom

where's the CE?

Diagram illustrating the 'invisible boom' concept, showing a van with a platform extending from its back, and two trucks below it.

Passiamo sopra ogni cosa
We fly all over

Diagram illustrating the platform's ability to pass over obstacles, showing a platform passing over a building with a height of 16,0 m and a width of 14,0 m.

16 mt up and 14,00 mt over: never so high

Sottosopra
Downunder

Diagram illustrating the platform's ability to extend downwards, showing a platform extending from a surface to a depth of -6,00 m.

Tutto in uno
All in one

Diagram illustrating the platform's versatility, showing a central platform with arrows pointing to various accessories like a crane, a winch, and a platform.

Sbarco in quota autorizzato
Authorized height landing

Diagram illustrating the platform's ability to land on a building's edge, showing a platform landing on a building's edge with a person standing on it.

Come un ascensore
Like an elevator

Diagram illustrating the platform's ability to move vertically like an elevator, showing a platform moving vertically with a height of 16 m.

Dolci e Veloci
Smooth and fast

Comandi a controllo elettronico, manovre multiple simultanee
Electronic controls, multi actions simultaneous

Diagram illustrating the platform's smooth and fast operation, showing a platform with multiple control points, indicating simultaneous operations.

Auto Stabilizzazione
Automatic Stabilization

Diagram illustrating the platform's automatic stabilization system, showing a platform with a stabilizer system.

Non ti facciamo girare la testa
We don't drive (your head) crazy

90° + 90°

Diagram illustrating the platform's ability to rotate 90 degrees in two directions, showing a platform rotating 90° + 90°.

Siamo i più forti
We are the strongest

350 kg

390 kg

Diagram illustrating the platform's strength, showing a platform with a weight limit of 350 kg and 390 kg.

Sempre al tuo fianco
Always with you

Diagram illustrating the platform's wireless control system, showing a platform with a wireless control system.

Ti spianiamo la strada
We pave your road

12%

Diagram illustrating the platform's ability to operate on slopes, showing a platform on a 12% incline.